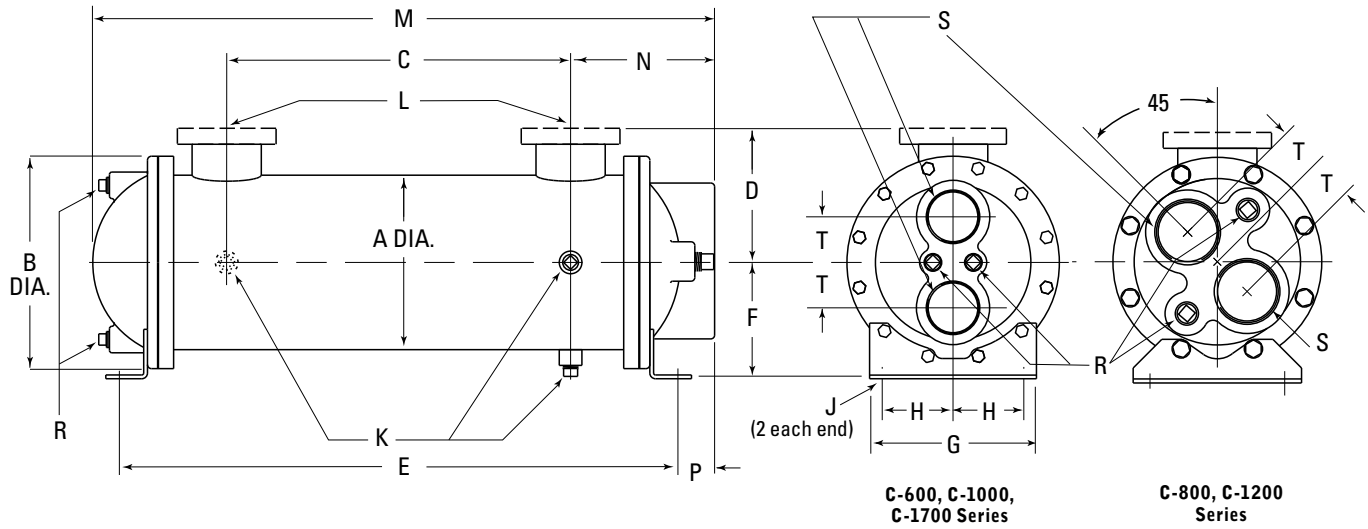


Dimensions

Two Pass

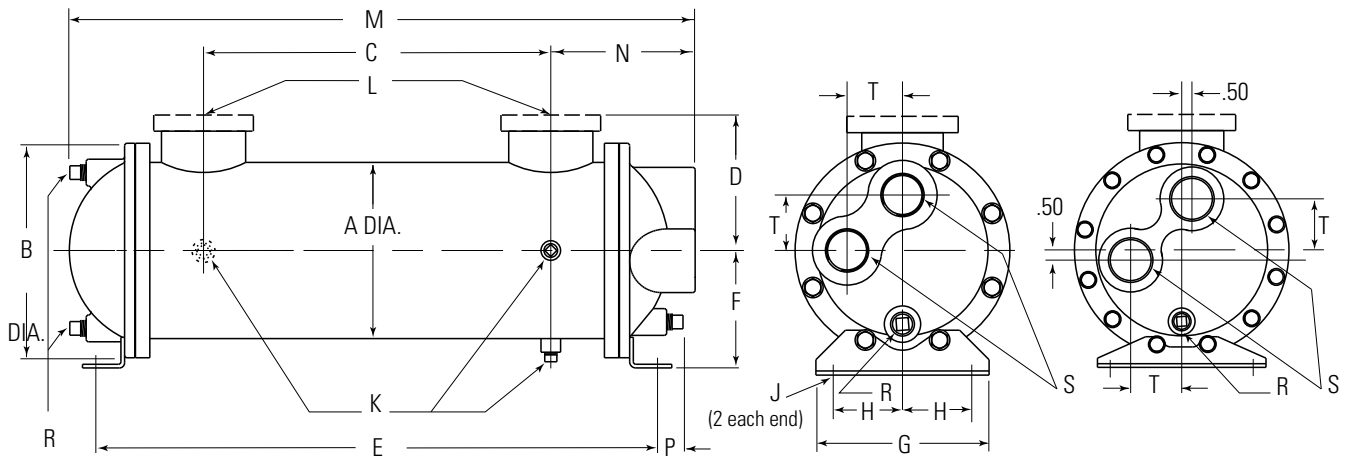


MODEL SIZE	A	B	C	D		E	F	G	H	J	K NPT	L		M	N	P	R NPT	S NPT/ BSPP	T
				NPT/BSPP SAE O-RING	SAE FLANGE							NPT/BSPP FLANGE	SAE O-RING						
614	3.25	4.50	10.00	2.62	2.88	16.38	2.75	4.18	1.62	.44	(3)	1.00	#16 1 ⁵ / ₁₆ -12 UNF-2B	17.12	3.56	.38	(2)	1.00	1.00
624			20.00			26.38								27.12					
814	4.25	6.00	9.00	3.25	3.50	16.62	3.50	4.25	1.75	.50	(3)	1.50	#24 1 ⁷ / ₈ -12 UN-2B	17.88	4.44	.63	.38	1.25	1.06
824			19.00			26.62								27.88					
836			31.00			38.62								39.88					
1014	5.25	6.75	9.00	3.75	4.00	17.12	4.00	5.25	2.00	.75	(3)	2.00	#32 2 ¹ / ₂ -12 UN-2B	18.62	5.00	.94	(4)	1.50	1.50
1024			19.00			27.12								28.62					
1036			31.00			39.12								40.62					
1224	6.25	7.75	18.25	4.25	4.88	27.13	4.50	6.25	2.50	.75	(3)	2.00	#32 2 ¹ / ₂ -12 UN-2B	29.02	5.43	1.00	(4)	2.00	1.56
1236			30.25			39.13								41.03					
1248			42.25			51.13								53.03					
1260			54.25			63.13								65.03					
1724	8.62	10.50	17.00	5.84	6.81	27.50	5.75	8.25	3.50	.88	(3)	3.00	-	30.62	7.06	1.81	(4)	2.50	2.25
1736			29.00			39.50								42.62					
1748			41.00			51.50								54.62					
1760			53.00			63.50								66.62					
1772			65.00			75.50								78.62					

NOTE: We reserve the right to make reasonable design changes without notice. Consult factory. All dimensions are inches.

Dimensions

Four Pass



All Models except
C-1700 Series

C-1700 Series

MODEL SIZE	A	B	C	D		E	F	G	H	J	K NPT	L		M	N	P	R NPT	S NPT/ BSPP	T	
				NPT/BSPP SAE O-RING	SAE FLANGE							NPT/BSPP FLANGE	SAE O-RING							
614	3.25	4.50	10.00	2.62	2.88	16.38	2.75	4.18	1.62	.44 DIA.	(3)	1.00	#16	17.12	3.56	.38	(2)	.38	1.00	
624			20.00			#15/16-12 UNF-2B							27.12							
814	4.25	6.00	9.00	3.25	3.50	16.62	3.50	4.25	1.75	.50	(3)	1.50	#24 1 7/8-12 UN-2B	17.88	4.44	.63	(3)	.75	1.25	
824			19.00			26.62								27.88						
836			31.00			38.62								39.88						
1014	5.25	6.75	9.00	3.75	4.00	17.12	4.00	5.25	2.00	.75	(3)	2.00	#32 2 1/2-12 UN-2B	18.81	4.81	.75	(3)	1.00	1.69	
1024			19.00			27.12								28.81						
1036			31.00			39.12								40.81						
1224	6.25	7.75	18.25	4.25	4.88	27.13	4.50	6.25	2.50	.50 x .75	(3)	2.00	#32 2 1/2-12 UN-2B	29.13	5.44	1.00	(3)	.38	1.50	2.00
1236			30.25			39.13								41.13						
1248			42.25			51.13								53.13						
1260			54.25			63.13								65.13						
1724	8.62	10.50	17.00	5.84	6.81	27.50	5.75	8.25	3.50	.62 x .88	(3)	3.00	-	29.86	7.06	1.81	(3)	2.00	2.50	
1736			29.00			39.50								41.86						
1748			41.00			51.50								53.86						
1760			53.00			63.50								65.86						
1772			65.00			75.50								77.86						

NOTE: We reserve the right to make reasonable design changes without notice. Consult factory. All dimensions are inches.